



OekoTube-Inside – the electrostatic precipitator for your wood combustion system

Product overview

Electrostatic precipitator:

up to 50 kW
OekoTube-Outside



up to 100 kW
OekoTube-Inside



up to 500 kW
OekoRona



up to 3 MW
OekoRona M

Wood chips dryer with
integrated ESP:



up to 10 MW

The electrostatic precipitator (ESP) OekoTube-Inside significantly reduces particulate emissions and is approved for use when installed on wood-fired boilers up to 100 kW.

Easy to install, the OekoTube-Inside is located within the boiler room as part of the flue system.

The OekoTube-Inside can be equipped with an optional semi-automatic or fully-automatic cleaning system. For wood-fired boilers rated above 50 kW this option significantly reduces the amount of cleaning required.

With the appropriate connection set, the OekoTube-Inside can be conveniently connected to any wood-fired boiler.

OekoTube-Inside facts

- Up to 100 kW for automatic wood-fired boilers
- Suitable for pellets, wood chips and lump wood
- Simple, manual cleaning by the chimney sweep
- Cleaning without dismantling the electrode
- Optional: semi-automatic or automatic cleaning

Tested separation efficiencies

- 95% reduction of particle number
- 80% reduction of particle mass

Admission

DE: DIBt Z-7.4-3451
CH: VKF Nr. 23273

Particulate matter. Particles with a diameter of less than 10 µm are hazardous to human health by entering the lungs through the respiratory tract and eventually into our bloodstream. The use of the OekoTube-Inside actively reduces particulate emissions and improves local air quality.

Assembly. The OekoTube-Inside is mounted in the flue after the wood-fired boiler.

Connection set. With the available connection set, the OekoTube-Inside can be easily connected to any wood-fired boiler. The supplied dust container can be conveniently emptied.

Operation. Chimney draft is not affected by the operation of the separator. A source of power, rated at either 110 or 220 V AC is required at the installation site for the power supply. The OekoTube-Inside switches on and off automatically via a temperature sensor. Maximum power usage is less than 30 watts.

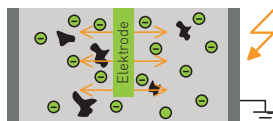
Simple cleaning. During regular cleaning, the OekoTube-Inside is also cleaned by the chimney sweep. The separated particulates can be removed with a conventional chimney broom. The flexible electrode evades the brush and does not need to be dismantled for cleaning.

Automatic cleaning. To minimize the manual cleaning effort, the OekoTube-Inside is offered with two optional cleaning systems. The systems can be operated manually or fully automatically with the aid of a motor. Depending on the dust load and wood-fired boiler capacity (50 kW and above), the cleaning mechanism is recommended.

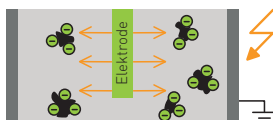
Operation principle



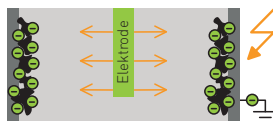
1. Fine dust particles stream through the smoke stack with the exhaust gas.



2. Electrons are released by a high voltage electrode.

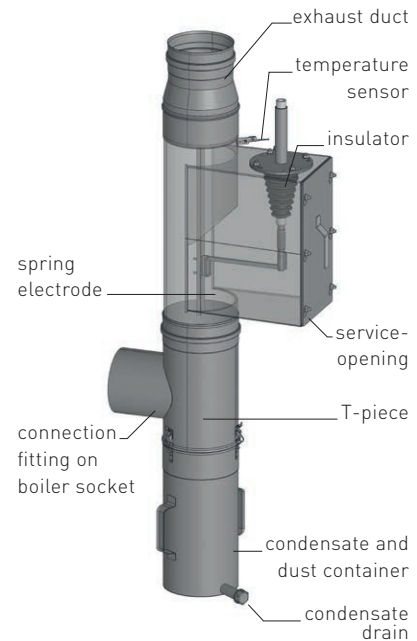


3. The particulates are electrostatically charged and transported to the chimney wall.



4. The particulates accumulate in the form of coarse dust on the chimney wall.

Installation OekoTube-Inside with connection set



Types of installation

